

ROUGHING IN DIMENSIONS MAY VARY AND ARE SUBJECT TO CHANGE. NO RESPONSIBILITY IS ASSUMED FOR USE OF SUPERCEDED OR VOIDED DATA. (0192-1)



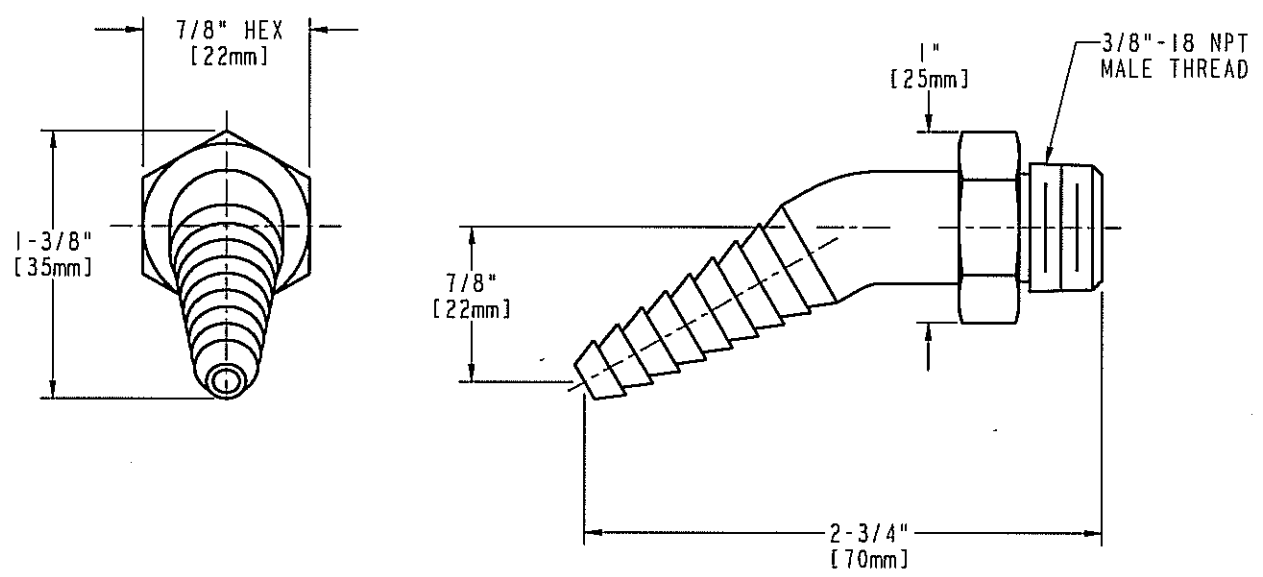
2100 SOUTH CLEARWATER DRIVE
DES PLAINES, ILLINOIS 60018-5999

FITTING NO.
E7XT
SUBMITTED MODEL NO.

JOB NAME

ITEM NO.

SUBMITTED AS SHOWN	
SUBMITTED AS NOTED	
SEE ATTACHED FOR SUBMITTED MODIFICATION	



DIMENSIONS IN INCHES AND [MILLIMETERS].

TECHNICAL DATA

- 30° ANGLED LABORATORY NOZZLE OUTLET
- FITS SPOUTS WITH 3/8" NPSM FEMALE OUTLET
- FINISH: CHROME PLATE

DATE: 06-18-02

BY: SID

CHK'D: *[Signature]*

APP'D: *[Signature]*

REV: A

E7XT